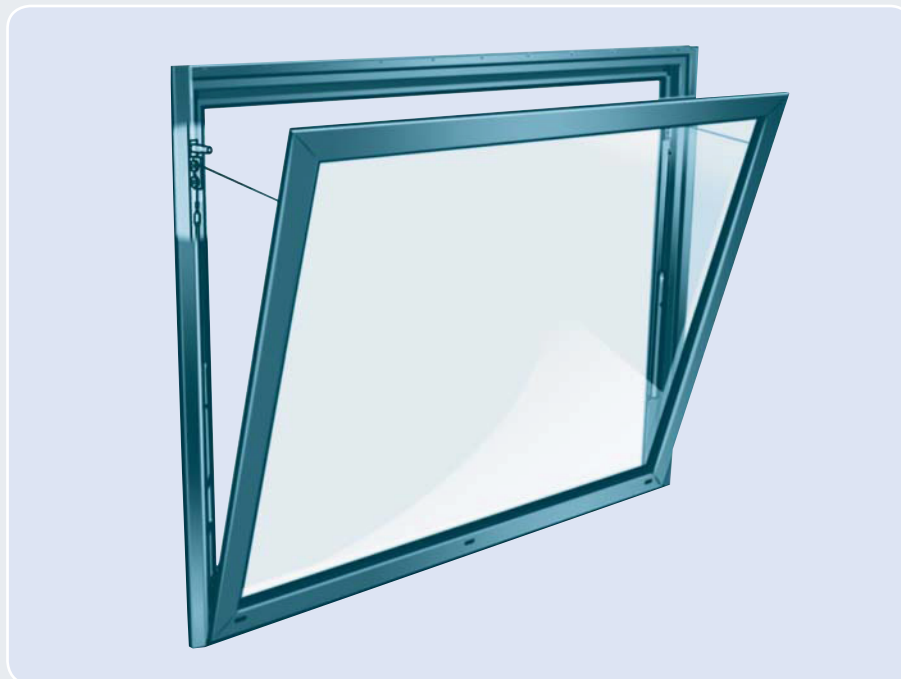




Glazed casement solution

The award winning Inova is the solution for projects requiring aesthetic slim profile ventilators in vertical building façades and can be used for smoke and day to day ventilation. The Inova extracts large volumes of smoke, utilizing the buoyancy of hot gases in the rising plume. Natural day-to-day ventilation is driven by pressure differences to move fresh air through the building. Pressure differences are caused by wind or the buoyancy effect created by temperature differences commonly known as the “stack effect”.



The Inova has slim profiles and fully concealed controls making it an ideal solution where aesthetics are important such as apartments, offices and commercial buildings.

The Inova can be glazed or have insulated aluminium panels, either electrically or pneumatically controlled with different base options for fixing vertically into brickwork, glazing or wall cladding.

Designs

The Inova has an extremely slim profile which means that the system is ideally suited for use in facades. The mounting angle is 90°, the opening angle in relation to the base structure is 30° as standard. The Inova is used for both day-to-day ventilation and fire ventilation. The structure consists of a completely thermally insulated aluminium profile section.

The design ensures that the external appearance has also been perfectly finished in detail. The frame is sealed with EPDM rubbers.

Regulations

The system is tested and certified in accordance with EN 12101-2.

Flanges

The flange thickness of the Inova can be varied from 5 mm to 55 mm.

External appearance

Any rectangular shapes are possible as standard with:

- frame height of 600 to 2000 mm
- frame width of 600 to 2500 mm
- maximum panel surface area of 3.5 m²
- glass thickness 6-40 mm
- opening angle of 30° as standard
(variations by agreement)

The weight depends on dimensioning and panel.

The maximum weight of the panel is 45 kg/m².

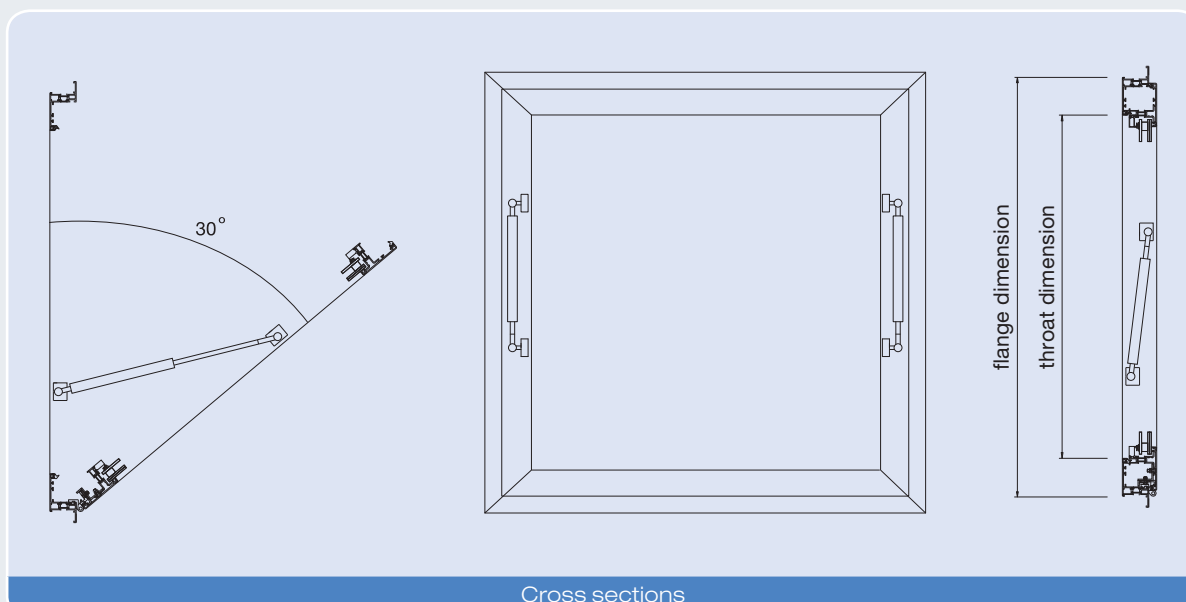
Control system

The entire control system for the Inova is completely concealed inside the structure in its closed state. Cylinders, gas springs or motors are not therefore visible, which means that the Inova can be used in any situation. It is also possible to very easily clean the window.

P single-action compressed air operation

M motor operation

Extras: **FS** failsafe



For more information please refer to our website: www.deltavent.com
To contact us either call +44 (0)23 9286 3888 or email info@deltavent.com